



The Clover™ Station

A Closer Look : Features and Specifications



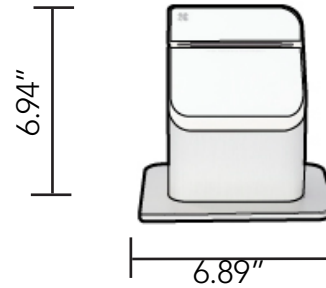
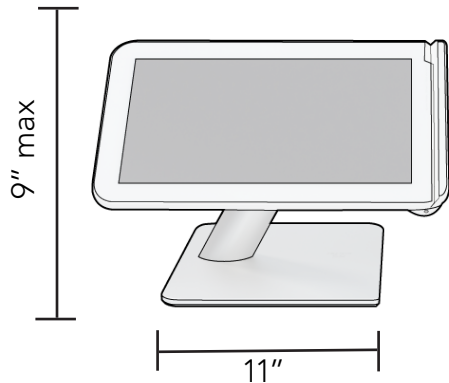
touchscreen + card reader



receipt printer

The Clover Station : Beautiful Outside

Form follows function, function follows your business needs



Touchscreen + Card Reader

- 11.6" high resolution touchscreen attached to a 11"x7.5" base plate
- 3.5mm audio jack for talk-to-text / ADA compliance
- Encrypted card swiper built into touchscreen display
- Fast focusing camera for barcode and QR code scanning

Receipt Printer

- Quick speed thermal receipt printer (6.89" x 6.89" x 6.94")
- Four USB ports smartly hidden under the thermal printer for peripheral expansion
- Coordinated cash drawer (16.54" x 16.54" x 4.25")

General Hardware

- Brushed aluminum touchscreen display with white glass accents
- Patent-pending swivel arm rotates screen 180° from landscape (merchant view) to portrait (happy customer view)
- Ethernet and WiFi enabled
- Single power source for display, thermal printer, and cash drawer
- Optional peripherals such as kitchen printers, hand held barcode scanner and integrated weight scale
- 1 year warranty



The Clover Software : Smart Inside

Cloud-based to control your business anytime, anywhere

Point of Sale Information

- Intuitive setup for quick employee training
- Accept payments using credit and signature debit cards, cash and check
- Offline mode - process even when the internet is down
- On-screen signature capture and marketing opt-in check box
- Ability to email, text, or print receipts - resend and reprint as needed
- Employee clock-in/clock-out and manager overrides
- Issue refunds and manage details of historic orders
- Easy batch-out and closing at end of day
- Menu changes sync across all devices in real time

Web Dashboard and Reporting

Payments Summary

- By tender
- By card type
- Cash reports
- Employee breakout

Cash Entries

- By date
- By event
- By employee
- By reason code
- By order ID

Item Summary

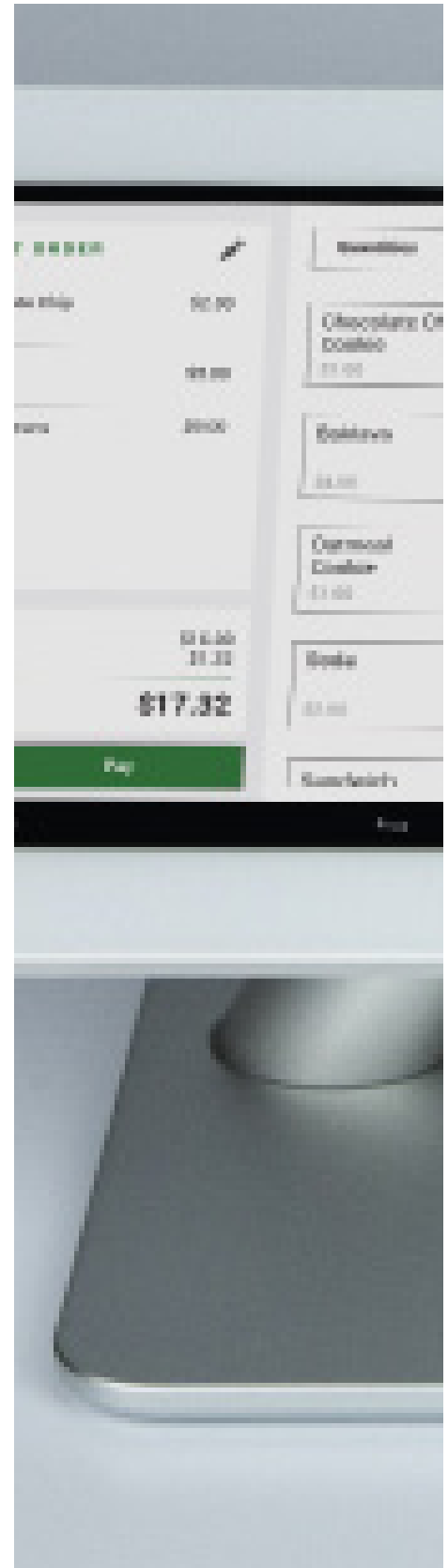
- By category or item
- By quantity
- Revenue modifiers
- Discounts

Order Snapshot

- Volume by date range
- Total orders
- Average order
- Items per order
- Tax and tender

Export Data

- Employee timecards and metrics
- Transaction reports
- Inventory management
- Customize discounts and tender types
- Access App Marketplace



The App Marketplace : Flexible All Around

The features you need, when you need them

Apps and Analytics

Clover comes pre-configured out of the box, but we don't stop there. Since it was built on an open platform, your business can expand its capabilities by downloading apps and features from the [Clover™ App Marketplace](#). Tap into the growing community of developers who are constantly adding new apps and features to the Marketplace that can help streamline and grow your business. Some of the current features include the following:



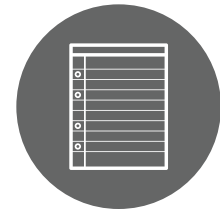
Tables App

Full service restaurant management. Configure number of seats, send orders per guest, assign and transfer tables between servers



Happy Hour

An auto-discounting App. Configure drink or food specials based on time of day or days of the week.



Notes

A fun App that serves as a virtual sticky-note for employee reminders.

Customer Focused

- Customer record with name automatically created upon card swipe
- If the customer chooses text message delivery of receipt, phone information is attached to the record as well
- Email, physical address, and other information can be collected by customer entry
- Associated order history details can be easily retrieved, searching by name or contact details



For more information please visit
www.clover.com/manage

 @CloverPOS